

QUANTUM T12

Industrial Touch Panel

12.1" TFT LCD, Capacitive/Resistive Touch, Intel® Braswell / Skylake CPU



Key Feature



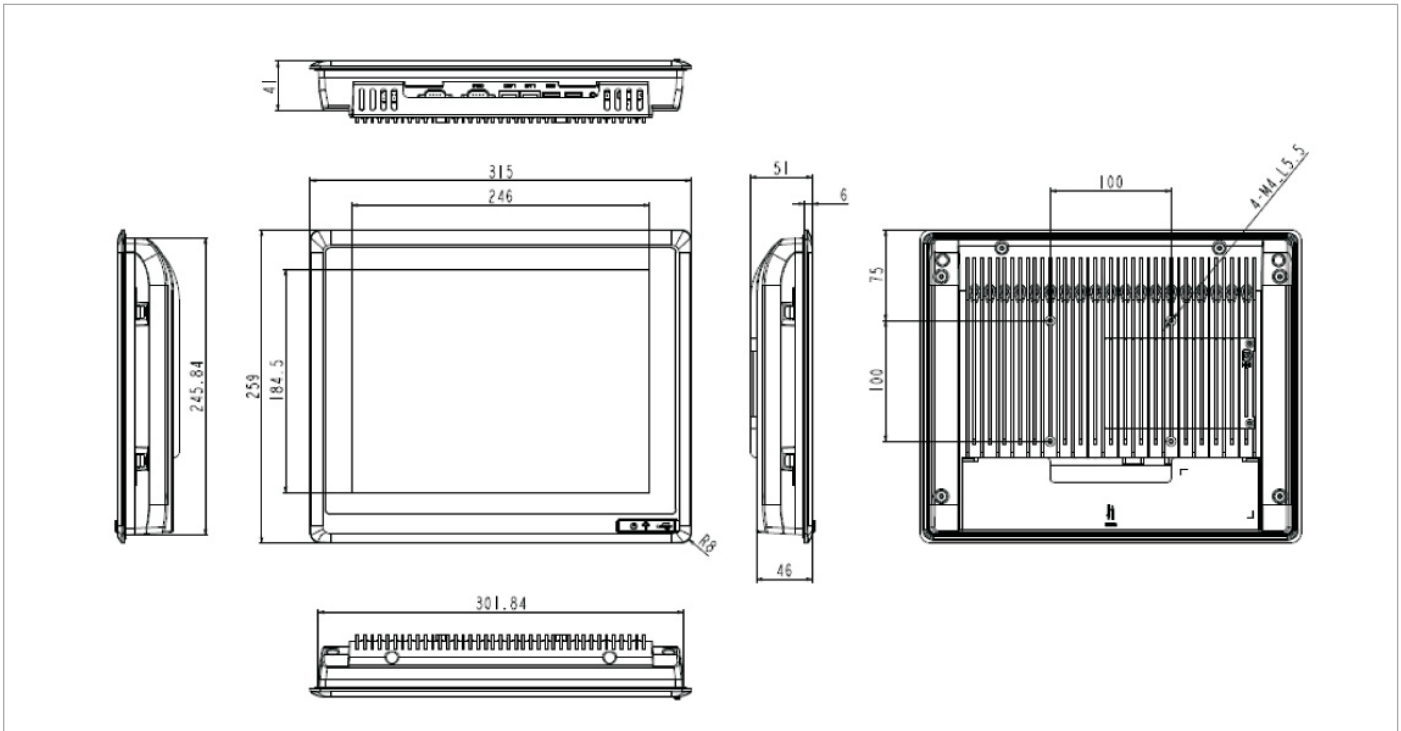
- Aluminum die-casting chassis, fanless design
- 12.1" LED TFT LCD , capacitive/resistive touch
- Intel ® Braswell / Skylake
- 1*Mini PCIe(PCle+USB, or mSATA)
- 1*USB2.0 Front
- 2.5'HDD Bay, 1*mSATA
- Remote Power Signal
- DC 12~24V power input



| Specifications | | Quantum T12A | Quantum T12B3 | Quantum T12I5 | Quantum T12I7 |
|--------------------------|-----------------------|--|---------------|---------------|---------------|
| CPU | CPU | N3160 | I3-6100U | I5-6300U | I7-6600U |
| | Core / Threads | 4 / 4 | 2 / 4 | 2 / 4 | 2 / 4 |
| | Max Speed | 2.24 GHz | 2.30 GHz | 3.00 GHz | 3.40 GHz |
| | TDP | 6W | 15W | 15W | 15W |
| | Chipset | SOC Intel® | | | |
| | BIOS | Insyde SPI 64Mbit Flash | | | |
| System Memory | Model Ta | SO-DDR3L 1600MHz Max 8GB | | 1 | |
| | Model Ti | SO-DDR4 2133 MHz Max 16GB | | 1 | |
| Storage | HDD/SSD bay | 2.5" | | 1 | |
| | mSATA | | | 1 | |
| Display e Graphics | Display | 12.1" LED bright TFT LCD | | 1 | |
| | External Display | HDMI, dual display max 4K | | 1 | |
| Expansion | Internal | Mini PCIe slot PCle/USB (mSATA by jumper) | | 1 | |
| Rear I/O | COM port | RS232/422/485 | | 2 | |
| | USB3.0 | Type A | | 4 | |
| | HDMI | | | 1 | |
| | RJ45 | | | 2 | |
| | USB 2.0 | Type A | | 1 | |
| Network | LAN | Intel I211AT chip, 10/100/1000 Mbps | | | |
| Audio | Audio | Realtek ALC888S-VD2-GR Audio codec integrated, 2*3W speaker inside(Optional) | | | |
| Power | Remote power | ATX button+remote button by 2-pin connector | | | |
| | Power Supply | DC to DC: 9~36V input, consumption: TDP 12V/2.75A(Intel I5-6300U CPU, 4GB DDR4 memory) | | | |
| Mechanical & Environment | Construction | Aluminum die-casting front bezel and chassis, fin-shaped radiator shell | | | |
| | Operating Temperature | 0°C ~ 50°C -HDD(-10°C ~ 55°C -SSD), with airflow | | | |
| | Storage Temperature | -20°C ~ 60°C | | | |
| | Operating Humidity | 10~95%@40, non-condensing | | | |
| | Shock | 10g peak acceleration(duration 11ms), in operating with HDD | | | |
| | Vibration | 1g 5~500Hz in operating with HDD | | | |
| | Mounting | Panel mounting, VESA 100*100 | | | |
| | Dimension | (W*H*D): 315*259*51mm | | | |
| | Mounting cut out | (W*H): 303*247mm | | | |
| | EMC | CE, FCC Class A | | | |
| Software | OS Supply | Windows 7, Windows 8.1, Windows 10, Linux | | | |

QUANTUM T12

Industrial Touch Panel



| Specifications | | | |
|----------------|-----------------------|---|----------------------------|
| LCD | Construction | Aluminum die-casting front bezel and chassis, fin-shaped radiator shell | |
| | Operating Temperature | 0°C ~ 50°C -HDD(-10°C ~ 55°C -SSD), with airflow | |
| | Storage Temperature | -20°C ~ 60°C | |
| | Operating Humidity | 10~95%@40, non-condensing | |
| | Shock | 10g peak acceleration(duration 11ms), in operating with HDD | |
| | Vibration | 1g 5~500Hz in operating with HDD | |
| | Mounting | Panel mounting, VESA | |
| Dimension | (W*H*D): 315*259*51mm | | |
| Touch | Type | 5 wire resistive touch | Projected capacitive touch |
| | Resolution | gapless | gapless |
| | Light Transmittance | 83 % | 90 % |
| | Interface | USB | USB |
| | Consumption | +5V @ 200mA | +5V @ 300mA |
| | OS | Windows/Linux | Windows/Linux |
| | Click Lifetime | 35 million times | 3 billion times |

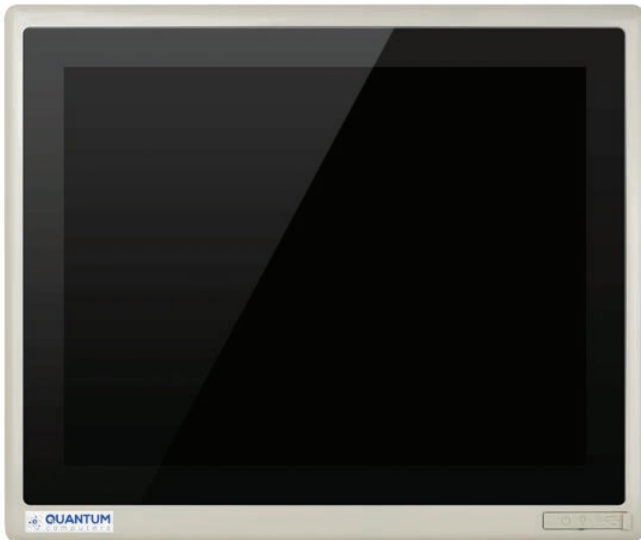
QUANTUM T15

Industrial Touch Panel

15" TFT LCD, Capacitive/Resistive Touch, Intel® Braswell / Skylake CPU



Key Feature



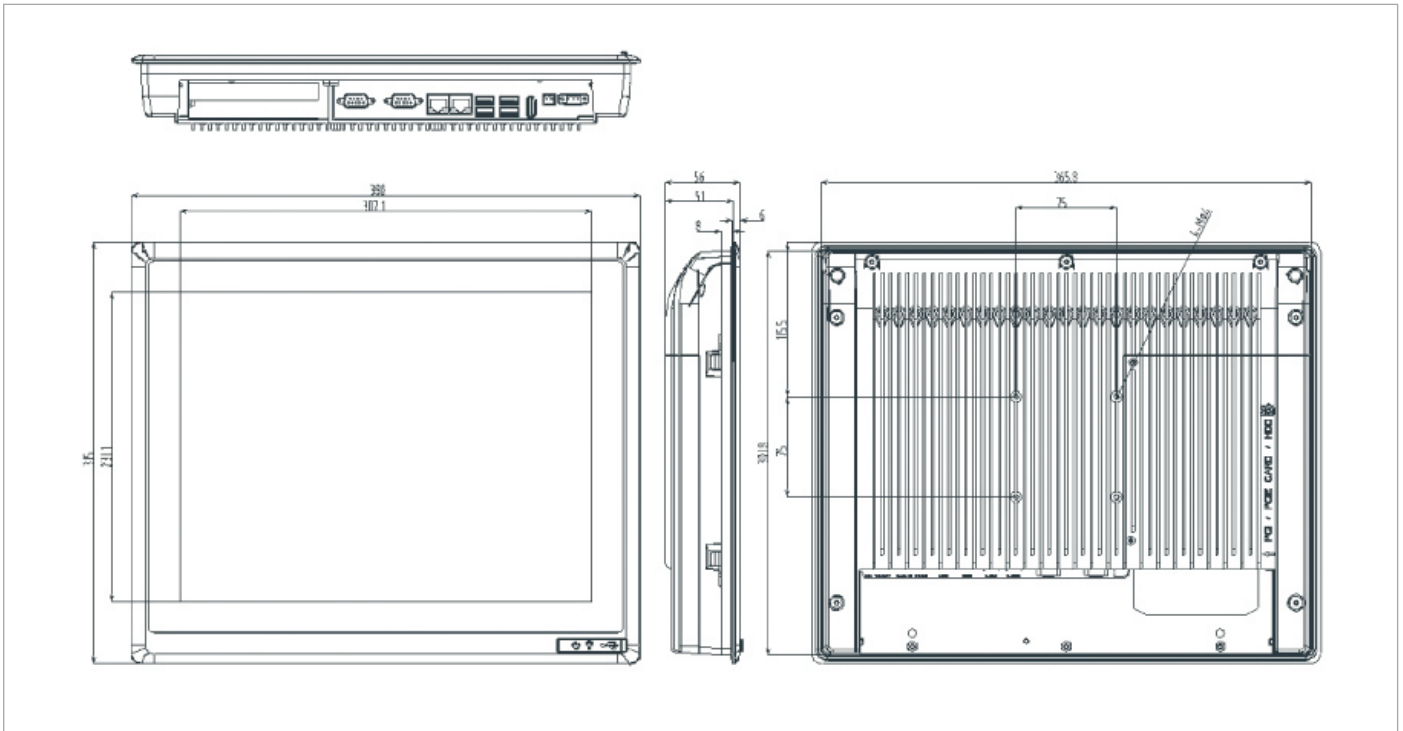
- Aluminum die-casting chassis, fanless design
- 15" LED TFT LCD , capacitive/resistive touch
- Intel ® Braswell / Skylake
- 1*Mini PCIe(PCle+USB, or mSATA)
- 1* PCI/PCI-E slot
- 1*USB2.0 Front
- 2.5" HDD Bay, 1*mSATA
- Remote Power Signal
- DC 12~24V power input



| Specifications | | Quantum T15A | Quantum T15I3 | Quantum T15I5 | Quantum T15I7 |
|--------------------------|-----------------------|--|---------------|---------------------------------------|---------------|
| CPU | CPU | N3160 | I3-6100U | I5-6300U | I7-6600U |
| | Core / Threads | 4 / 4 | 2 / 4 | 2 / 4 | 2 / 4 |
| | Max Speed | 2.24 GHz | 2.30 GHz | 3.00 GHz | 3.40 GHz |
| | TDP | 6W | 15W | 15W | 15W |
| | Chipset | SOC Intel® | | | |
| | BIOS | Insyde SPI 64Mbit Flash | | | |
| System Memory | Model Ta | SO-DDR3L 1600MHz Max 8GB | | 1 | |
| | Model Ti | SO-DDR4 2133 MHz Max 16GB | | 1 | |
| Storage | HDD/SSD bay | 2.5" | | 1 | |
| | mSATA | | | 1 | |
| Display e Graphics | Display | 15" LED bright TFT LCD | | 1 | |
| | External Display | HDMI, dual display max 4K | | 1 | |
| Expansion | Standard | Mini PCIe slot PCle/USB (mSATA by jumper) | | 1 | |
| | Optional | PCI / PCI-Express x1 | | 1 | |
| Rear I/O | COM port | 2xRS232/422/485 + 2x RS232 (on bracket) | | 4 (2 When using PCI/PCI-Express slot) | |
| | USB3.0 | Type A | | 4 | |
| | HDMI | | | 1 | |
| | RJ45 | | | 2 | |
| | USB 2.0 | Type A | | 1 | |
| Network | LAN | Intel I211AT chip, 10/100/1000 Mbps | | | |
| Audio | Audio | Realtek ALC888S-VD2-GR Audio codec integrated, 2*3W speaker inside(Optional) | | | |
| Power | Remote power | ATX button+remote button by 2-pin connector | | | |
| | Power Supply | DC to DC: 9~36V input, consumption: TDP 12V/2.75A(Intel I5-6300U CPU, 4GB DDR4 memory) | | | |
| Mechanical & Environment | Construction | Aluminum die-casting front bezel and chassis, fin-shaped radiator shell | | | |
| | Operating Temperature | 0°C ~ 50°C -HDD(-10°C ~ 55°C -SSD), with airflow | | | |
| | Storage Temperature | -20°C ~ 60°C | | | |
| | Operating Humidity | 10~95%@40, non-condensing | | | |
| | Shock | 10g peak acceleration(duration 11ms), in operating with HDD | | | |
| | Vibration | 1g 5~500Hz in operating with HDD | | | |
| | Mounting | Panel mounting, VESA 100*100 | | | |
| | Dimension | (W*H*D): 380*315*56mm | | | |
| | Mounting cut out | (W*H): 367.3*303.3mm | | | |
| | EMC | CE, FCC Class A | | | |
| Software | OS Supply | Windows 7, Windows 8.1, Windows 10, Linux | | | |

QUANTUM T15

Industrial Touch Panel



Specifications

| | | | |
|--------------------|-----------------------|---|----------------------------|
| LCD | Type | 15" TFT LED | |
| | Resolution | 1024*768 | |
| | Color | 16.2M colors | |
| | Pixel Pitch(mm) | 0.297*0.297 | |
| | Brightness(cd/m2) | 350 | |
| | Viewing Angle | 80 Degree(left), 80 Degree(right), 70 Degree(up), 70 Degree(down) | |
| | Operating Temperature | -20°C ~ 70°C | |
| Backlight Lifetime | 50,000 Hours | | |
| Touch | Type | 5 wire resistive touch | Projected capacitive touch |
| | Resolution | gapless | gapless |
| | Light Transmittance | 83 % | 90 % |
| | Interface | USB | USB |
| | Consumption | +5V @ 200mA | +5V @ 300mA |
| | OS | Windows/Linux | Windows/Linux |
| | Click Lifetime | 35 million times | 3 billion times |

QUANTUM T18

Industrial Touch Panel

18.5" TFT LCD, Capacitive/Resistive Touch, Intel® Braswell / Skylake CPU



Key Feature



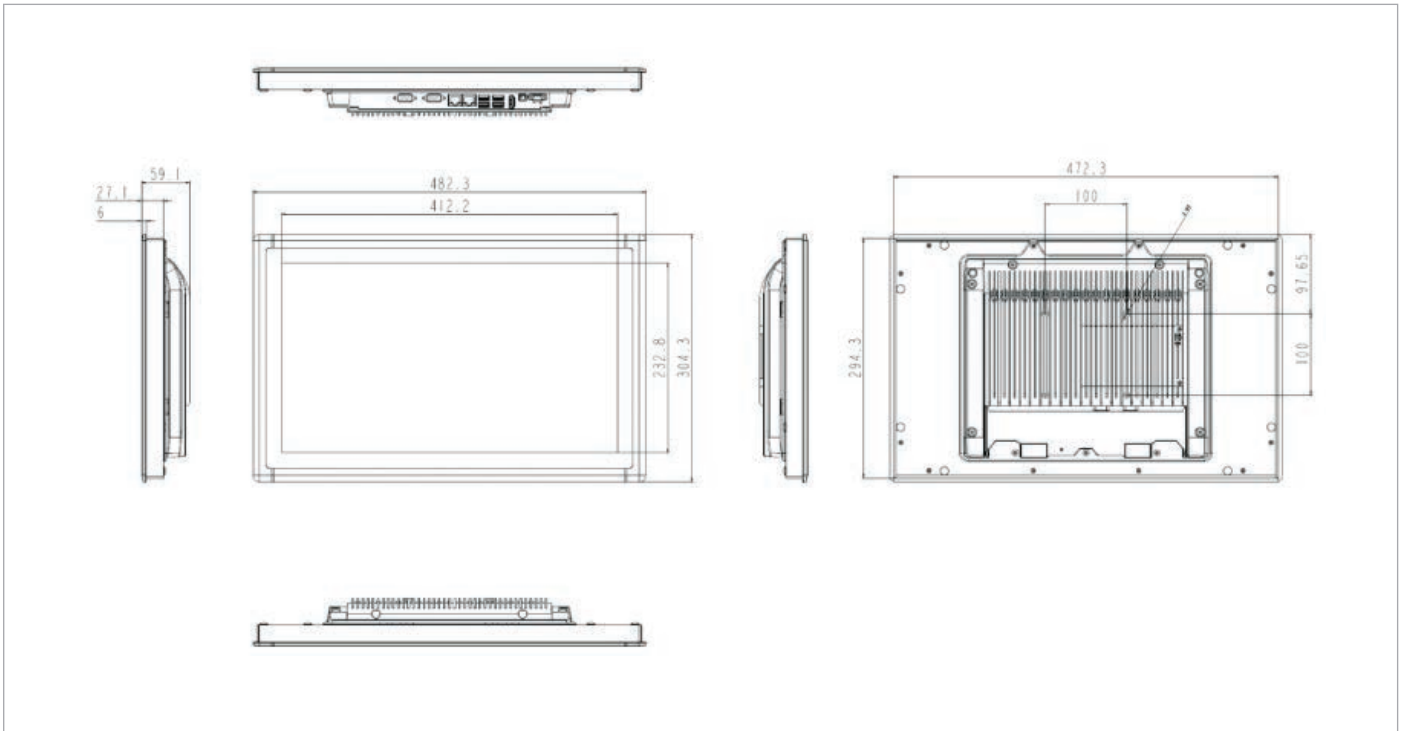
- Aluminum die-casting chassis, fanless design
- 18.5" LED TFT LCD , capacitive/resistive touch
- Intel ® Braswell / Skylake
- 1*Mini PCIe(PCle+USB, or mSATA)
- 2.5'HDD Bay, 1*mSATA
- Remote Power Signal
- DC 12~24V power input



| Specifications | | Quantum T18A | Quantum T18I3 | Quantum T18I5 | Quantum T18I7 |
|--------------------------|-----------------------|--|---------------|---------------|---------------|
| CPU | CPU | N3160 | I3-6100U | I5-6300U | I7-6600U |
| | Core / Threads | 4 / 4 | 2 / 4 | 2 / 4 | 2 / 4 |
| | Max Speed | 2.24 GHz | 2.30 GHz | 3.00 GHz | 3.40 GHz |
| | TDP | 6W | 15W | 15W | 15W |
| | Chipset | SOC Intel® | | | |
| | BIOS | Insyde SPI 64Mbit Flash | | | |
| System Memory | Model Ta | SO-DDR3L 1600MHz Max 8GB | | 1 | |
| | Model Ti | SO-DDR4 2133 MHz Max 16GB | | 1 | |
| Storage | HDD/SSD bay | 2.5" | | 1 | |
| | mSATA | | | 1 | |
| Display e Graphics | Display | 18.5" LED bright TFT LCD | | 1 | |
| | External Display | HDMI, dual display max 4K resolution | | 1 | |
| Expansion | Internal | Mini PCIe slot w/PCle and USB signal (mSATA by jumper) | | 1 | |
| Rear I/O | COM port | RS232 / 422 / 485 DB9 connector | | 2 | |
| | USB3.0 | Type A | | 4 | |
| | HDMI | | | 1 | |
| | RJ45 | | | 2 | |
| Network | LAN | Intel I211AT chip, 10/100/1000 Mbps | | | |
| Audio | Audio | Realtek ALC888S-VD2-GR Audio codec integrated, 2*3W speaker inside(Optional) | | | |
| Power | Remote power | ATX button+remote button by 2-pin connector | | | |
| | Power Supply | DC to DC: 9~36V input, consumption: TDP 12V/2.75A(Intel I5-6300U CPU, 4GB DDR4 memory) | | | |
| Mechanical & Environment | Construction | Aluminum die-casting front bezel and chassis, fin-shaped radiator shell | | | |
| | Operating Temperature | 0°C ~ 50°C -HDD(-10°C ~ 55°C -SSD), with airflow | | | |
| | Storage Temperature | -20°C ~ 60°C | | | |
| | Operating Humidity | 10~95%@40, non-condensing | | | |
| | Shock | 10g peak acceleration(duration 11ms), in operating with HDD | | | |
| | Vibration | 1g 5~500Hz in operating with HDD | | | |
| | Mounting | Panel mounting, VESA 100*100 | | | |
| | Dimension | (W*H*D): 482.3*304.3*59.1mm | | | |
| | Mounting cut out | (W*H): 473.5*295.5mm | | | |
| EMC | CE, FCC Class A | | | | |
| Software | OS Supply | Windows 7, Windows 8.1, Windows 10, Linux | | | |

QUANTUM T18

Industrial Touch Panel



Specifications

| | | | |
|--------------------|-----------------------|---|----------------------------|
| LCD | Type | 18.5" TFT LED | |
| | Resolution | 1366*768 | |
| | Color | 16.2M colors | |
| | Pixel Pitch(mm) | 0.300*0.300 | |
| | Brightness(cd/m2) | 300 | |
| | Viewing Angle | 80 Degree(left), 80 Degree(right), 70 Degree(up), 70 Degree(down) | |
| | Operating Temperature | -20°C ~ 50°C | |
| Backlight Lifetime | 50,000 Hours | | |
| Touch | Type | 5 wire resistive touch | Projected capacitive touch |
| | Resolution | gapless | gapless |
| | Light Transmittance | 0,83 % | 0,90% |
| | Interface | USB | USB |
| | Consumption | +5V @ 200mA | +5V @ 300mA |
| | OS | Windows/Linux | Windows/Linux |
| | Click Lifetime | 35 million times | 3 billion times |

QUANTUM T21

Industrial Touch Panel

21.5" TFT LCD, Capacitive/Resistive Touch, Intel® Braswell / Skylake CPU



Key Feature



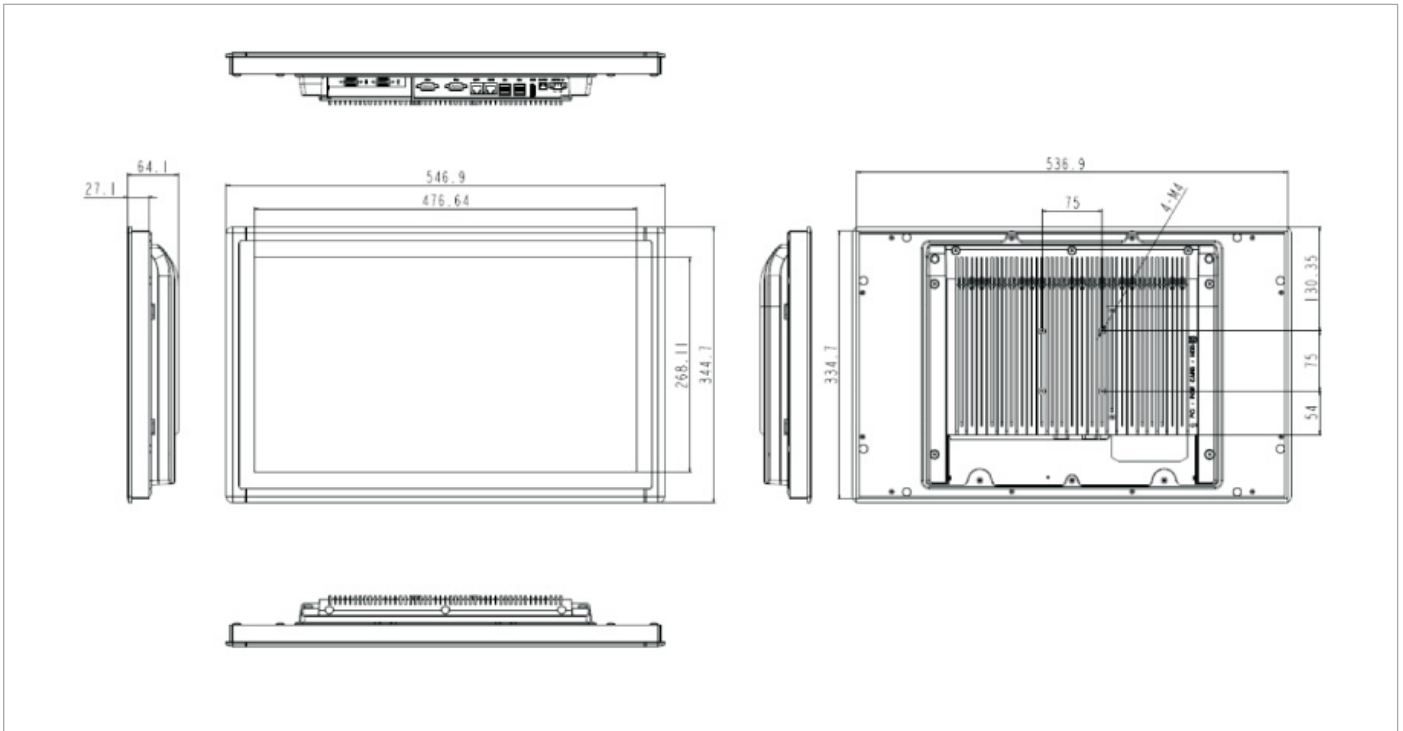
- Aluminum die-casting chassis, fanless design
- 21.5" LED TFT LCD , capacitive/resistive touch
- Intel ® Braswell / Skylake
- 1*Mini PCIe(PCIe+USB, or mSATA)
- 1* PCI/PCI-E slot
- 2.5'HDD Bay, 1*mSATA
- Remote Power Signal
- DC 12~24V power input



| Specifications | | Quantum T21A | Quantum T213 | Quantum T215 | Quantum T217 |
|--------------------------|-----------------------|--|--------------|---------------------------------------|--------------|
| CPU | CPU | N3160 | I3-6100U | I5-6300U | I7-6600U |
| | Core / Threads | 4 / 4 | 2 / 4 | 2 / 4 | 2 / 4 |
| | Max Speed | 2.24 GHz | 2.30 GHz | 3.00 GHz | 3.40 GHz |
| | TDP | 6W | 15W | 15W | 15W |
| | Chipset | SOC Intel® | | | |
| | BIOS | Insyde SPI 64Mbit Flash | | | |
| System Memory | Model Ta | SO-DDR3L 1600MHz Max 8GB | | 1 | |
| | Model Ti | SO-DDR4 2133 MHz Max 16GB | | 1 | |
| Storage | HDD/SSD bay | 2.5" | | 1 | |
| | mSATA | | | 1 | |
| Display e Graphics | Display | 21.5" LED bright TFT LCD | | 1 | |
| | External Display | HDMI, dual display max 4K resolution | | 1 | |
| Expansion | Standard | Mini PCIe slot w/PCIe and USB signal (mSATA by jumper) | | 1 | |
| | Optional | PCI / PCI-Express x1 | | 1 | |
| Rear I/O | COM port | RS232 / 422 / 485 DB9 connector | | 4 (2 When using PCI/PCI-Express slot) | |
| | USB3.0 | Type A | | 4 | |
| | HDMI | | | 1 | |
| | RJ45 | | | 2 | |
| Network | LAN | Intel I211AT chip, 10/100/1000 Mbps | | | |
| Audio | Audio | Realtek ALC888S-VD2-GR Audio codec integrated, 2*3W speaker inside(Optional) | | | |
| Power | Remote power | ATX button+remote button by 2-pin connector | | | |
| | Power Supply | DC to DC: 9~36V input, consumption: TDP 12V/2.75A(Intel I5-6300U CPU, 4GB DDR4 memory) | | | |
| Mechanical & Environment | Construction | Aluminum die-casting front bezel and chassis, fin-shaped radiator shell | | | |
| | Operating Temperature | 0°C ~ 50°C -HDD(-10°C ~ 55°C -SSD), with airflow | | | |
| | Storage Temperature | -20°C ~ 60°C | | | |
| | Operating Humidity | 10~95%@40, non-condensing | | | |
| | Shock | 10g peak acceleration(duration 11ms), in operating with HDD | | | |
| | Vibration | 1g 5~500Hz in operating with HDD | | | |
| | Mounting | Panel mounting, VESA 100*100 | | | |
| | Dimension | (W*H*D): 546.9*344.7*64.1mm | | | |
| Mounting cut out | | (W*H): 537.5*335.3mm | | | |
| | EMC | CE, FCC Class A | | | |
| Software | OS Supply | Windows 7, Windows 8.1, Windows 10, Linux | | | |

QUANTUM T21

Industrial Touch Panel



Specifications

| | | | |
|--------------------|-----------------------|---|----------------------------|
| LCD | Type | 21.5" TFT LED | |
| | Resolution | 1920*1080 | |
| | Color | 16.2M colors | |
| | Pixel Pitch(mm) | 0.2475*0.2475 | |
| | Brightness(cd/m2) | 250 | |
| | Viewing Angle | 89 Degree(left), 88 Degree(right), 89 Degree(up), 89 Degree(down) | |
| | Operating Temperature | 0°C ~ 50°C | |
| Backlight Lifetime | 50,000 Hours | | |
| Touch | Type | 5 wire resistive touch | Projected capacitive touch |
| | Resolution | gapless | gapless |
| | Light Transmittance | 0.83 % | 0.90% |
| | Interface | USB | USB |
| | Consumption | +5V @ 200mA | +5V @ 300mA |
| | OS | Windows/Linux | Windows/Linux |
| | Click Lifetime | 35 million times | 3 billion times |